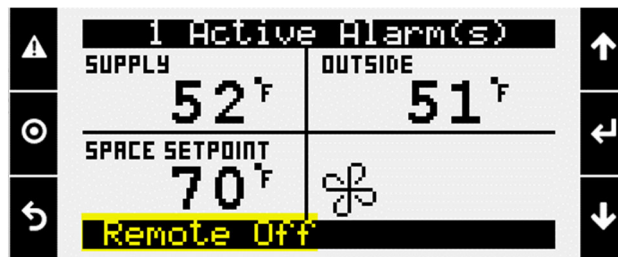


## Frequently Asked Questions

### What does “Remote Off” mean?

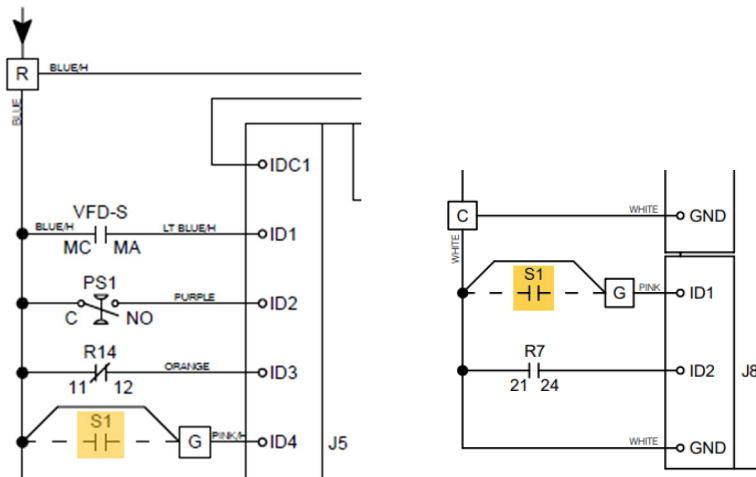


“Remote Off” means that the Remote Start input on the unit’s controller is not satisfied. On most units, the Remote Start input is associated with the field-wired contact labeled, “S1”.

- When S1 is closed, the digital input on the controller sees this closure and allows the unit to run.
- When S1 is open, the digital input on the controller sees that the contact is open and prevents the unit from running. When this happens, the controller will read, “**Remote Off**”, and the unit will not allow the user to Enable it.

The wiring convention for S1 depends on casing size and is between the following terminal blocks

- o Terminal Block R (24VAC) and Terminal Block G – 24VAC satisfies the Remote Start Input.
- OR
- o Terminal Block C (neutral) and Terminal Block G – Dry contact closure satisfies the Remote Start Input.



The S1 contact (Remote Start Input) is a common choice for a field-wired emergency shutdown contact. See the document titled, “Where Do I Connect My Smoke Detector Or Emergency Shutdown To My Unit?” for more information on this.